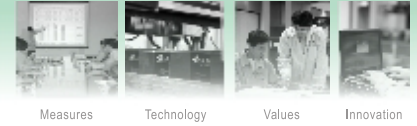




VRLA Rechargeable Battery

BPS100-12



FEATURES

- Maintenance free(no water topping-up required).
- No free acid(Non-spillable battery).
- Low self-discharge rate, lower than 3% capacity loss per month.
- Can be used in any orientation(excluding used inverted).
- Flame-arrestor is installed to ensure safety.
- Carry handles for easy installation.
- Absorbent Glass Mat technology for efficient gas recombination
- Service Life — 12 Years.
According to Eurobat (20 °C) — Very Long Life


APPLICATIONS

- UPS
- Telecom
- Golf-Carts




SPECIFICATIONS

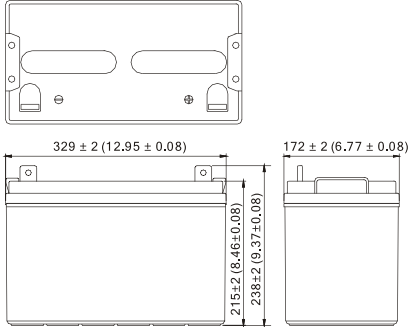
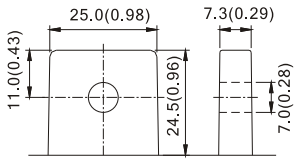
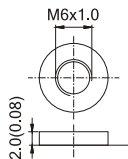
Nominal Voltage	12 V
Nominal Capacity	100Ah @ 20 hour rate F.V.(1.75V/cell)
Approx. Weight	32.7Kg(72.1lbs.)
Terminals	B3 (Fitting M6 bolt & nut) I2 is optional
Internal Resistance	≤4.5mΩ (Fully Charged)
Max. Discharge Current	800 A (5 sec.)
Max. Charge Current	30 A
Operating Temperature Range	Charge: 0°C~40°C(32°F~104°F) Discharge: -20°C~50°C(-4°F~122°F) Storage: -20°C~40°C(-4°F~104°F)
Container Material	Standard: ABS(UL94 HB) BPS100-12 Optional: Flame Retardant ABS(UL94 V-0) BPS100-12FR



MH19884



- IEC 60896-21/22
- JIS C 8704-2
- GB/T 19638.2

DIMENSION(mm/inch)	OUTER DIMENSIONS	TERMINAL TYPE
<p>■ Length 329±2.0 (12.95±0.08)</p> <p>■ Width 172±2.0 (6.77±0.08)</p> <p>■ Container Height 215±2.0 (8.46±0.08)</p> <p>■ Total Height B3:238±2.0 (9.37±0.08) I2:218.5±2.0 (8.60±0.08)</p>		<p>● Terminal B3</p>  <p>[M6 BOLT & NUT]</p> <p>● Terminal I2</p>  <p>[M6 BOLT]</p> <p>Terminal Hardware Initial Torque: B3,I2(5.5Nm±5%)</p>

Constant power discharge characteristics at 25 °C/77 °F Unit: W

Discharge Time F.V. (V/cell)	15 Min	30 Min	1 Hr	3 Hr	5 Hr	10 Hr	20 Hr
1.80V	2065	1256	727.8	291.5	201.0	112.31	59.10
1.75V	2160	1304	749.6	297.3	204.0	114.00	60.00
1.70V	2226	1334	763.1	300.0	205.1	114.57	60.31
1.65V	2278	1353	772.3	302.1	205.8	114.91	60.48
1.60V	2323	1366	780.0	303.9	206.4	114.91	60.48

Constant current discharge characteristics at 25 °C/77 °F Unit: A

Discharge Time F.V. (V/cell)	15 Min	30 Min	1 Hr	3 Hr	5 Hr	10 Hr	20 Hr
1.80V	184.6	107.5	61.16	24.29	16.75	9.36	4.93
1.75V	193.0	111.6	62.99	24.78	17.00	9.50	5.00
1.70V	199.0	114.2	64.13	25.00	17.09	9.55	5.03
1.65V	203.6	115.8	64.90	25.17	17.15	9.58	5.04
1.60V	207.7	116.9	65.55	25.33	17.20	9.58	5.04

All data shall be changed without prior notice, BB reserves the right to explain and update the information contained hereinto.

DIMENSION(mm/inch)	OUTER DIMENSIONS	TERMINAL TYPE
<ul style="list-style-type: none"> ■ Length 329±2.0 (12.95±0.08) ■ Width 172±2.0 (6.77±0.08) ■ Container Height 215±2.0 (8.46±0.08) ■ Total Height B3:238±2.0 (9.37±0.08) I2:218.5±2.0 (8.60±0.08) 		<div style="display: flex; justify-content: space-around;"> <div style="text-align: center;"> <p>● Terminal B3</p> <p>[M6 BOLT & NUT]</p> </div> <div style="text-align: center;"> <p>● Terminal I2</p> <p>[M6 BOLT]</p> </div> </div> <p style="text-align: center;">Terminal Hardware Initial Torque: B3,I2(5.5Nm±5%)</p>

Constant power discharge characteristics at 25 °C/77 °F Unit: W

F.V. (V/cell) \ Discharge Time	15 Min	30 Min	1 Hr	3 Hr	5 Hr	10 Hr	20 Hr
1.80V	2065	1256	727.8	291.5	201.0	112.31	59.10
1.75V	2160	1304	749.6	297.3	204.0	114.00	60.00
1.70V	2226	1334	763.1	300.0	205.1	114.57	60.31
1.65V	2278	1353	772.3	302.1	205.8	114.91	60.48
1.60V	2323	1366	780.0	303.9	206.4	114.91	60.48

Constant current discharge characteristics at 25 °C/77 °F Unit: A

F.V. (V/cell) \ Discharge Time	15 Min	30 Min	1 Hr	3 Hr	5 Hr	10 Hr	20 Hr
1.80V	184.6	107.5	61.16	24.29	16.75	9.36	4.93
1.75V	193.0	111.6	62.99	24.78	17.00	9.50	5.00
1.70V	199.0	114.2	64.13	25.00	17.09	9.55	5.03
1.65V	203.6	115.8	64.90	25.17	17.15	9.58	5.04
1.60V	207.7	116.9	65.55	25.33	17.20	9.58	5.04