



VRLA Rechargeable Battery

BPS200-12



FEATURES

- Maintenance free(no water topping-up required).
- No free acid(Non-spillable battery).
- Low self-discharge rate, lower than 3% capacity loss per month.
- Can be used in any orientation(excluding used inverted).
- Flame-arrestor is installed to ensure safety.
- Carry handles for easy installation.
- Absorbent Glass Mat technology for efficient gas recombination.
- Service Life — 12 Years.
According to Eurobat (20 °C) — Very Long Life


APPLICATIONS

- UPS
- Telecom




SPECIFICATIONS

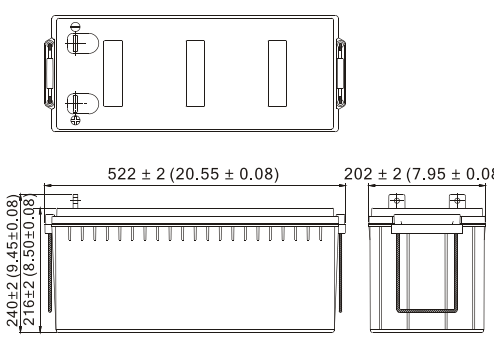
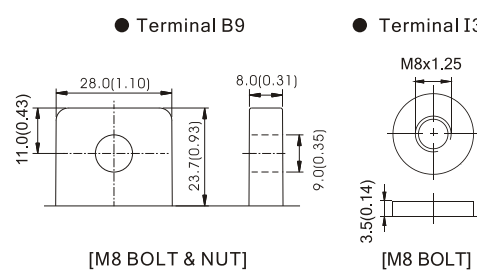
Nominal Voltage	12 V
Nominal Capacity	200Ah @ 20 hour rate F.V.(1.75V/cell)
Approx. Weight	61.5Kg(135.6lbs.)
Terminals	B9 (Fitting M8 bolt & nut) I3 is optional
Internal Resistance	≤2.5mΩ (Fully Charged)
Max. Discharge Current	800 A (5 sec.)
Max. Charge Current	60 A
Operating Temperature Range	Charge: 0°C~40°C(32°F~104°F) Discharge: -20°C~50°C(-4°F~122°F) Storage.: -20°C~40°C(-4°F~104°F)
Container Material	Standard: ABS(UL94 HB) BPS200-12 Optional: Flame Retardant ABS(UL94 V-0) BPS200-12FR



MH19884



- IEC 60896-21/22
- JIS C 8704-2
- GB/T 19638.2

DIMENSION(mm/inch)	OUTER DIMENSIONS	TERMINAL TYPE
<ul style="list-style-type: none"> ■ Length 522±2.0 (20.55±0.08) ■ Width 202±2.0 (7.95±0.08) ■ Container Height 216±2.0 (8.50±0.08) ■ Total Height B9:240±2.0 (9.45±0.08) I3:220±2.0 (8.66±0.08) 		<ul style="list-style-type: none"> ● Terminal B9 ● Terminal I3  <p>[M8 BOLT & NUT] [M8 BOLT]</p> <p>Terminal Hardware Initial Torque: B9,I3(10.0Nm±5%)</p>

Constant power discharge characteristics at 25°C/77°F Unit: W

F.V. (V/cell)	Discharge Time	15 Min	30 Min	1 Hr	3 Hr	5 Hr	10 Hr	20 Hr
1.80V		3724	2537	1456	582.8	402.0	224.6	118.2
1.75V		3896	2634	1499	594.6	408.0	228.0	120.0
1.70V		4016	2694	1526	600.0	410.3	229.2	120.6
1.65V		4108	2731	1545	604.3	411.7	229.7	120.9
1.60V		4190	2760	1560	607.7	412.8	229.7	120.9

Constant current discharge characteristics at 25°C/77°F Unit: A

F.V. (V/cell)	Discharge Time	15 Min	30 Min	1 Hr	3 Hr	5 Hr	10 Hr	20 Hr
1.80V		323.8	215.0	122.3	48.57	33.50	18.71	9.85
1.75V		338.8	223.2	126.0	49.55	34.00	19.00	10.00
1.70V		349.2	228.3	128.3	50.00	34.19	19.10	10.05
1.65V		357.2	231.5	129.8	50.36	34.31	19.14	10.08
1.60V		364.4	233.9	131.1	50.64	34.40	19.14	10.08

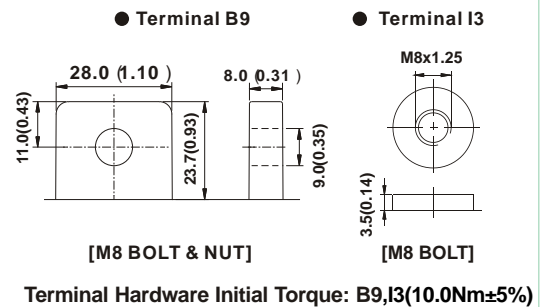
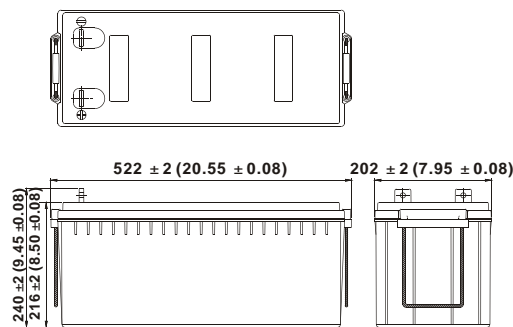
All data shall be changed without prior notice, BB reserves the right to explain and update the information contained hereinto.

DIMENSION(mm/inch)

OUTER DIMENSIONS

TERMINAL TYPE

- **Length**
522±2.0 (20.55±0.08)
- **Width**
202±2.0 (7.95±0.08)
- **Container Height**
216±2.0 (8.50±0.08)
- **Total Height**
B9:240±2.0 (9.45±0.08)
I3:220±2.0 (8.66±0.08)



Constant power discharge characteristics at 25 °C/77 °F Unit: W

F.V. (V/cell) \ Discharge Time	15 Min	30 Min	1 Hr	3 Hr	5 Hr	10 Hr	20 Hr
1.80V	3724	2537	1456	582.8	402.0	224.6	118.2
1.75V	3896	2634	1499	594.6	408.0	228.0	120.0
1.70V	4016	2694	1526	600.0	410.3	229.2	120.6
1.65V	4108	2731	1545	604.3	411.7	229.7	120.9
1.60V	4190	2760	1560	607.7	412.8	229.7	120.9

Constant current discharge characteristics at 25 °C/77 °F Unit: A

F.V. (V/cell) \ Discharge Time	15 Min	30 Min	1 Hr	3 Hr	5 Hr	10 Hr	20 Hr
1.80V	323.8	215.0	122.3	48.57	33.50	18.71	9.85
1.75V	338.8	223.2	126.0	49.55	34.00	19.00	10.00
1.70V	349.2	228.3	128.3	50.00	34.19	19.10	10.05
1.65V	357.2	231.5	129.8	50.36	34.31	19.14	10.08
1.60V	364.4	233.9	131.1	50.64	34.40	19.14	10.08